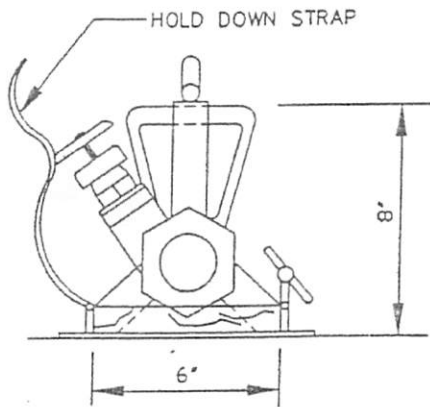
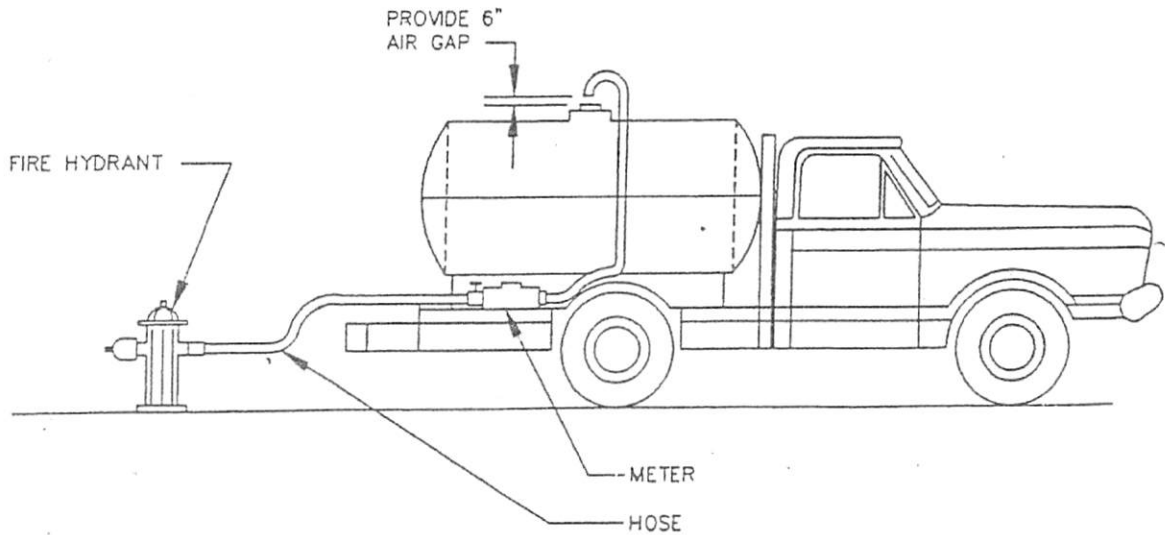


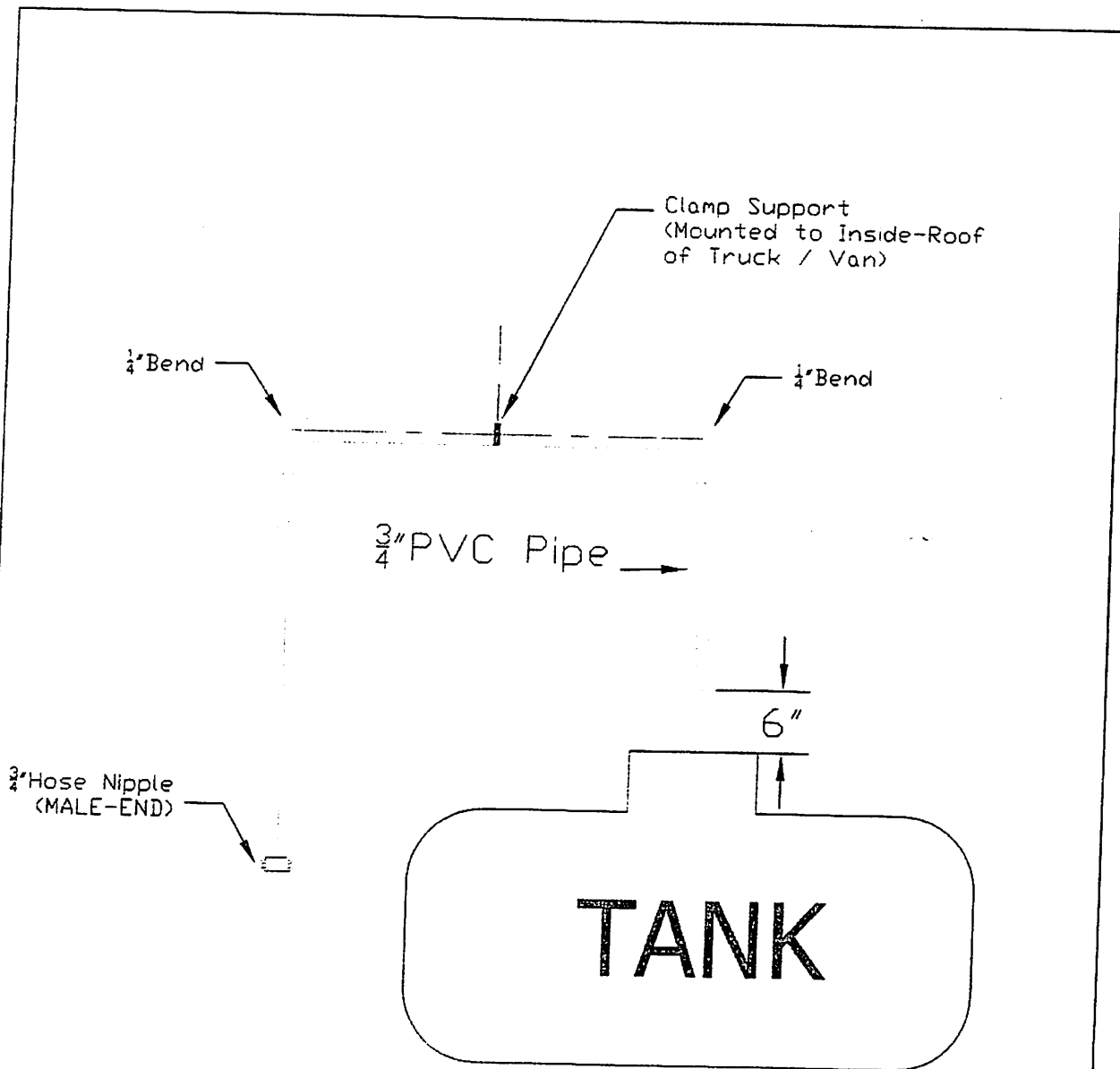
**SIDE VIEW**



**FRONT VIEW**



WASHINGTON SUBURBAN SANITARY COMMISSION	APPROVED: _____  _____ Director, Bureau of Planning & Design	<b>PORTABLE FIRE          HYDRANT METER</b>	REVISIONS:



WASHINGTON SUBURBAN SANITARY COMMISSION	Note: Drawing Not to Scale. Original Design/Sketch by: Darryl Davis. Drawn by: Stephen M. Tevault, Jr.	SPECIAL DETAIL Mobile Unit Truck Inspection - Special Detail Inspection of Air-Gap and Design of Layout.	
--------------------------------------------------	--------------------------------------------------------------------------------------------------------------	----------------------------------------------------------------------------------------------------------------	--